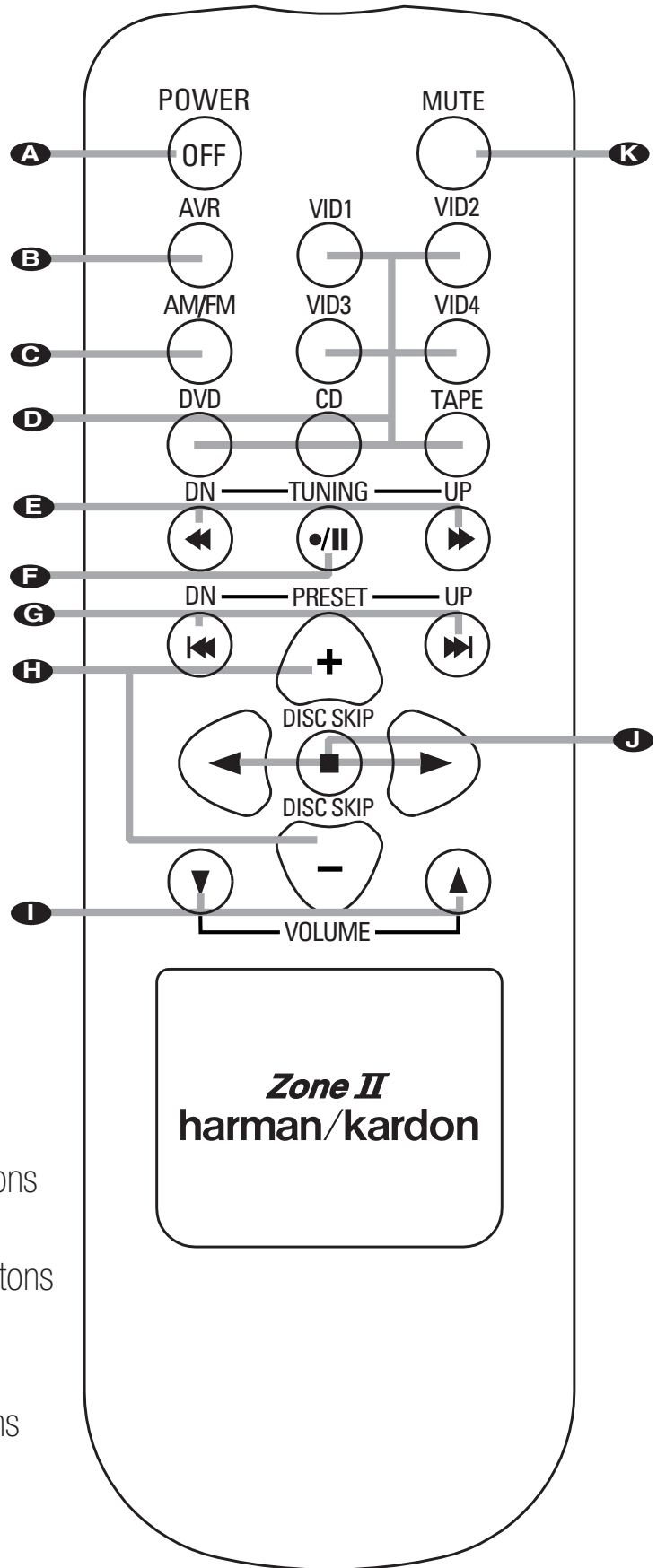


AVR 435 ZONE II REMOTE CONTROL FUNCTIONS



- A** Power Off Button
- B** AVR Selector Button
- C** AM/FM Tuner Selector
- D** Input Selectors
- E** Tuning Up/Down – Fast Play Buttons
- F** Record/Pause Button
- G** Preset Up/Down – Track Skip Buttons
- H** Disc Skip Buttons
- I** Volume Up/Down Buttons
- J** Play Forward/Reverse/Stop Buttons
- K** Mute Button